



# FALKE

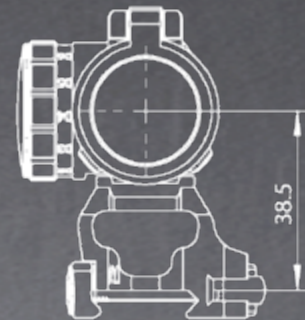
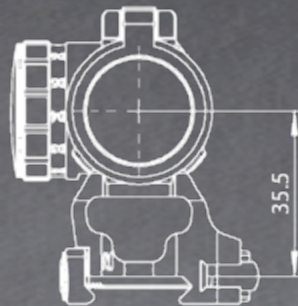
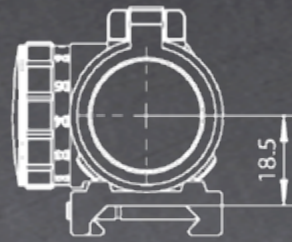
## PRECISE INSTINCT

## Specification

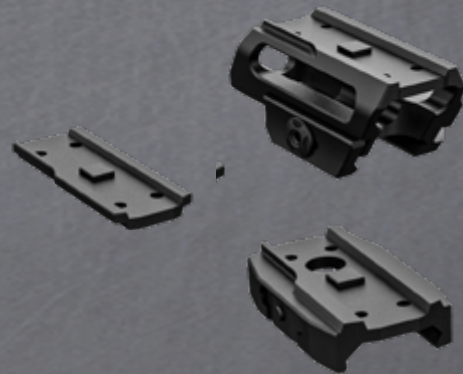
### FALKE S



RETICLE (2MOA)



HOUSING	ALUMINUM
QUICK-RELEASE MOUNTING	FOR PICATINNY / WEAVER
SUITABLE FOR NV-DEVICE	YES
MAGNIFICATION	1X
LENS DIAMETER (MM)	20
LENS COATING	AR RED, WATER REPELLENT
RETICLE	2 MOA RED DOT
EYE RELIEF	UNLIMITED
ADJUSTMENT RANGE	80 MOA
RECOIL RESISTANCE	UP TO .338 LM
WATERPROOF (M/IN)	10 / 394
BATTERY	1 X CR2032
BATTERY LIFE	UP TO 200.000H
BRIGHTNESS LEVELS	8 DT / 5 NV
OPERATING TEMPERATURE	-60 °C TO +70 °C
DIMENSIONS (MM)	87,4 X 53,2, X 63,7
WEIGHT (G/OZ)	200 / 7,05 (W/ MOUNT)



- HIGH PERFORMANCE AND SCRATCH RESISTANT COATINGS FOR OUTSTANDING TRANSLUCENCE AND RED DOT CONTRAST IN ALL SITUATIONS
- COMPACT DIMENSIONS AND LOW WEIGHT FOR UNLIMITED EYE RELIEF AND PARALLAX-FREE OPERATION
- LOW MOUNT AND RAISED QD MOUNT OF 1.41" FOR ABSOLUTE CO-WITNESSING WITH ANY SIGHT
- MADE OF MILLED 7075-ALUMINUM TO ENSURE RELIABLE OPERATION FOR ITS ENTIRE SERVICE LIFE
- SIDE MOUNTED BATTERY CR2032 CELL FOR UP TO 200,000 HOURS OF CONTINUOUS OPERATION ON MEDIUM SETTING
- WATERPROOF LEVEL IPX-7 AND ANTI-FOG COATING
- SEETHROUGH FLIP COVER AND HONEYCOMB INCLUDED
- HEAVY DUTY POLYMER CASE

THE FALKE S IS ONE OF OUR LATEST PROJECTS IN THE FALKE PORTFOLIO. OUR GERMAN ENGINEERS HAVE DONE EVERYTHING TO MAKE THIS RED DOT ONE OF THE MOST TECHNICALLY MODERN RED DOT SIGHTS. IT COMES WITH A BATTERY LIFE OF ALMOST 200,000 HOURS AND THE CLEAR 2 MOA POINT IS PROJECTED ERROR-FREE IN EVERY FORM. REGARDLESS OF THE LIGHT OR WEATHER CONDITIONS, OR WHEN A MOVING TARGET IN A CONFINED SPACE DEVELOPS INTO A RAPIDLY ACTING TACTICAL SITUATION. THE FALKE S RED DOT SIGHT MASTERS EVERY SITUATION. THIS OPTIC WAS TESTED UNDER THE TOUGHEST TEST CONDITIONS, SUCH AS 10M WATER DEPTH, EXTREME TEMPERATURES FROM -60°CELSIUS TO +70°CELSIUS AND SHOCK AND RECOIL UP TO CAL. 338LM. IN ADDITION TO ALL THIS, IT OFFERS 4 DIFFERENT MOUNTING HEIGHTS, ALL IN ONE BOX.